

6th Grade Math Common Assessment: Chapter 8

Name: _____ Date _____

6.RP.3d

1.) Heather's desk is 3 feet long. About how long is it in meters?

Use 1 foot \approx 0.305 meter.

- A. 0.00915 meter
- B. 0.9015 meter
- C. 0.915 meters
- D. 9.15 meters

6.RP.3d

2.) Joan mails a package that weighs 140 grams. About how many ounces is the package?

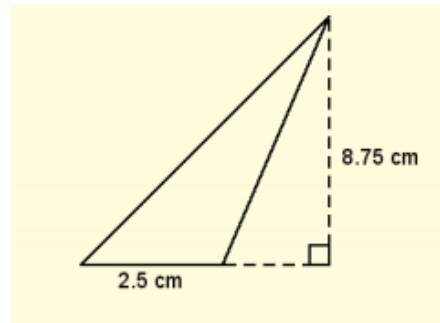
Use 1 ounce \approx 28.4 grams.

- A. 0.2 ounce
- B. 4.9 ounces
- C. 168.4 ounces
- D. 403.3 ounces

6.G.1

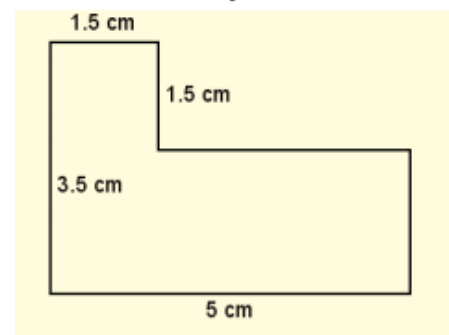
3.) What is the area of the triangle in the figure below?

Use the formula $A = bh \frac{1}{2}$



6.G.1

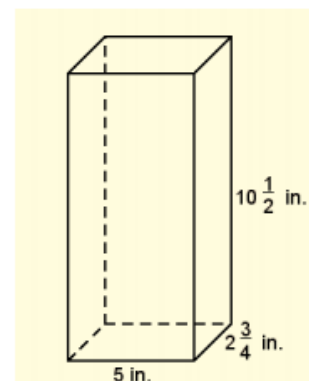
4.) Find the area of the polygon below by dividing it into two rectangles using one vertical line. Show your work.



6.G.2

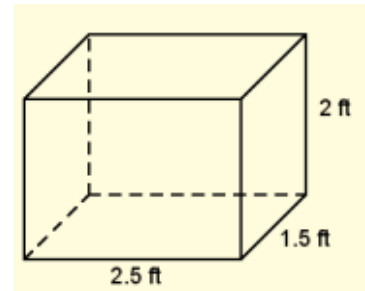
5.) What is the volume of the rectangular prism?

Use the formula $V = lwh$



6.G.4

6.) An employee of a store's gift wrapping center is wrapping 8 gifts, each in the same size box. The dimensions of the box are shown below.



a. Draw a net for this box.

b. Find the surface area of the box. Show your work.

c. If there is only 160 square feet of wrapping paper left, will the employee be able to wrap all of the gifts? Explain.

6.G.5

7.) One circle has a 96 cm diameter and another circle has a 295.16 cm circumference. Which circle has a larger radius? Explain using 3.14 for π .

Show Work.

Explanation for Problem 7:
